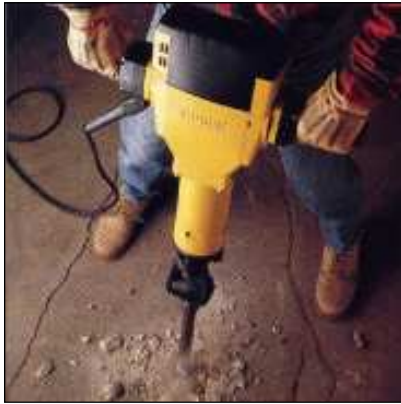


ELECT. TOOLS & DRILLS

MINIMUM DAY WEEK



BREAKER, Bosch Brute 65# electric
 with cord, point, chisel, cart 59 79 237

ELECTRIC DRILLS

3/8" 15 20 40
 3/8" Angle (close quarters) 19 25 50
 1/2" 20 26 52
 1/2" Angle 24 32 64

CORE DRILLS

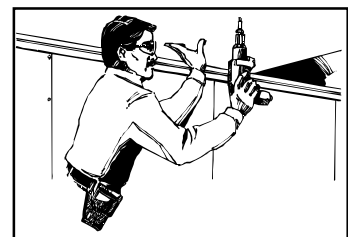
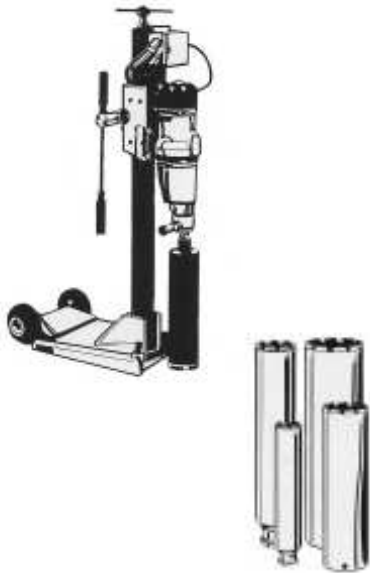
Hand-Held 45 60 180
 with 1" diamond bit 89 104 268
 with 1 1/2" diamond bit 97 112 284
Mast Mounted 112 112 336
 with 1" diamond bit 156 156 424
 with 1 1/2" diamond bit 164 164 440
 with 2" diamond bit 175 175 462
 with 2 1/2" diamond bit 184 184 480
 with 3" diamond bit 200 200 512
 with 4" diamond bit 218 218 548
 with 4 1/2" diamond bit 227 227 566
 with 5" diamond bit 244 244 600
 with 6" diamond bit 270 270 652
 with 8" diamond bit 329 329 770

MAGNETIC DRILL PRESS 99 99 348

ENGRAVER, electric 10 15 23

HAMMER DRILL

Jacobs Chuck to 1/2" 27 36 72
Bosch 1248EVS to 1" 41 54 162
 with 1/2" x 6" bit 48 61 176
 with 1/2" x 16" bit 50 63 180
 with 5/8" x 10" bit 50 63 180
 with 5/8" x 16" bit 51 64 182
 with 3/4" x 10" bit 52 65 184
 with 3/4" x 16" bit 53 66 186
 with 7/8" x 10" bit 53 66 186
 with 1" x 10" bit 54 67 188
 with 1" x 16" bit 55 68 190
 with point & chisel 45 58 170



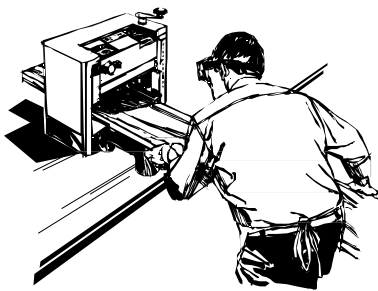
ELECT. TOOLS & DRILLS

MINIMUM DAY WEEK



HAMMERDRILL

Bosch 11245EVS to 2"	48	64	192
with 1/2" x 16" bit	56	72	208
with 5/8" x 16" bit	68	74	212
with 3/4" x 16" bit	60	76	216
with 7/8" x 16" bit	61	77	218
with 1" x 16" bit	62	78	220
with 1 1/8" x 10" bit	63	79	226
with 1 1/4" x 10" bit	65	81	226
with 1 1/4" x 16" bit	65	81	226
with 1 1/2" x 16" bit	66	82	228
with 1 3/4" x 16" bit	73	89	242
with 2" x 10" bit	77	93	250
with 2" x 16" bit	77	93	250
with point & chisel	52	68	200



HEATGUN 15 29 58

MULTI-TESTER 12range 10 15 22

PLANER

Bench Mount 12"	55	55	165
Hand Held, Electric	30	40	100

ROUTER 30 40 120

SANDERS

4" X 21" Belt	25	33	99
---------------------	----	----	----

SANDER/GRINDER

4 1/2" standard	20	26	52
7" heavy duty	26	35	70

